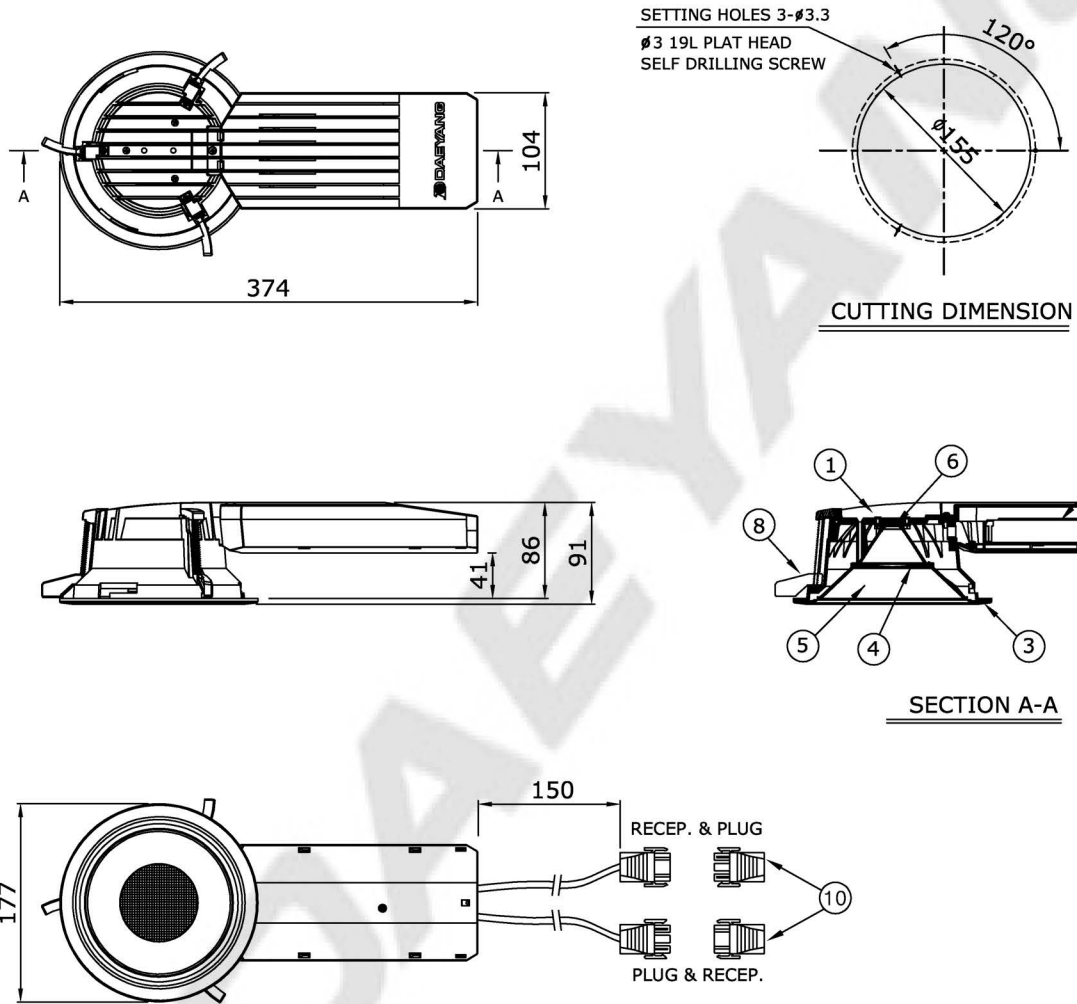


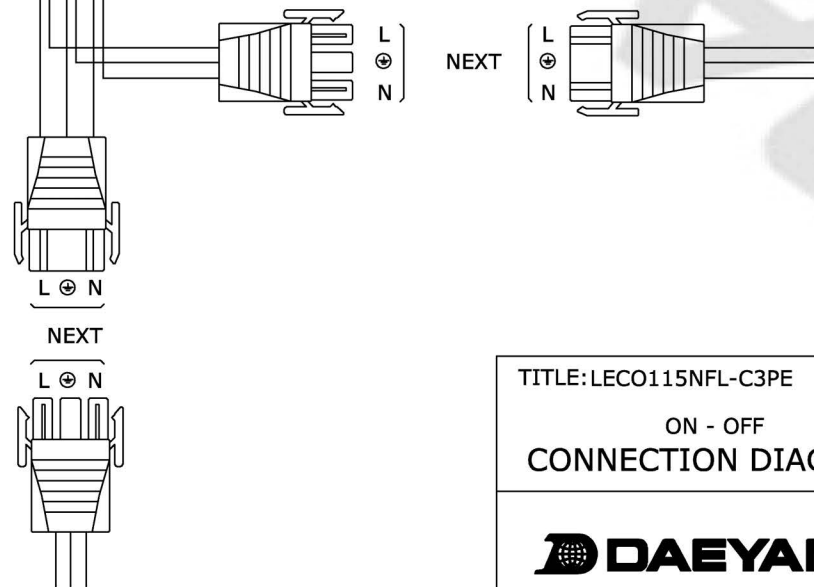
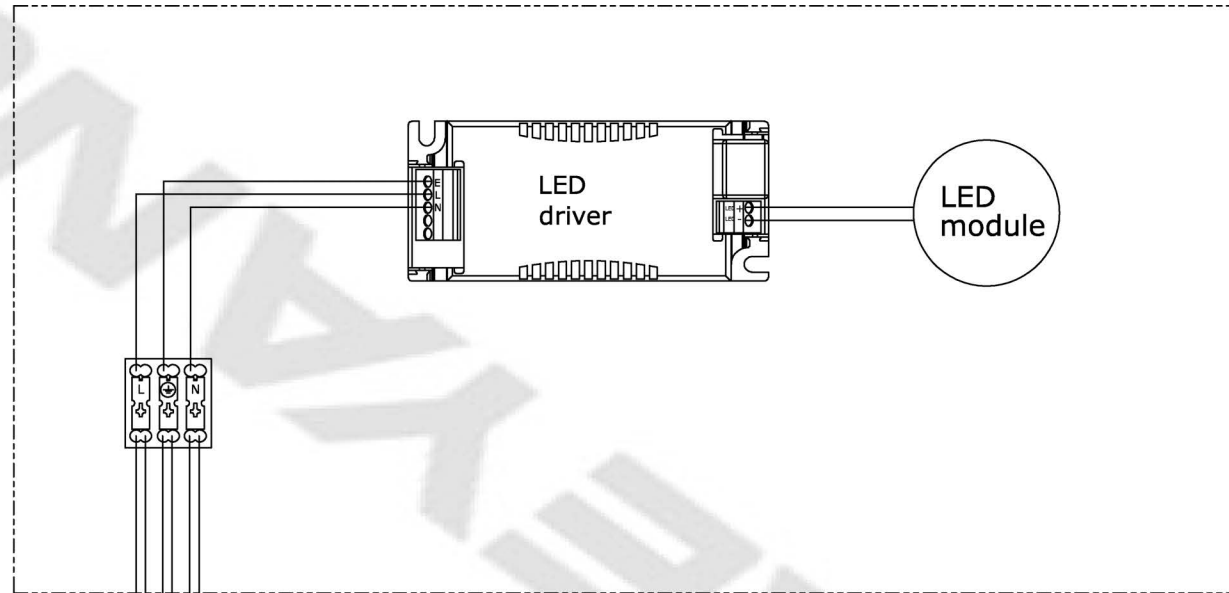
CAPACITY	SYMBOL/ SERIAL NO.	CIRCUIT DIAGRAM
AC220V-240V, 50/60Hz		
13W		



10	3P CONNECTOR	RECEP. & PLUG SET	2		5	REFLECTOR	POLYCARBONATE	1	
9	TERMINAL BLOCK	-	1	3P	4	DIFFUSER	POLYCARBONATE	1	MILKY
8	FITTING SUPPORT	POLYCARBONATE	3		3	FASCIA	POLYCARBONATE	1	WHITE
7	LED driver	-	1		2	BODY	POLYCARBONATE	1	
6	LED module	-	1	3,000±300K	1	FRONT HEAD	ALUMINIUM DIE CASTING	1	

NO.	NAME OF PARTS	MATERIAL	Q'TY	REMARKS	NO.	NAME OF PARTS	MATERIAL	Q'TY	REMARKS
APPROVED	J. KIM	UNIT	MM	LED DOWN LIGHT NORMAL(ON-OFF) TYPE FOR MARINE USE					
CHECKED	D. W. CHO	SCALE	N/S						
DRAWING	S. H. HAN	COLOR	N-9.3						
DATE	2020.03.24	IP	20						
					MODEL NO.	LECO115NFL-P20613WPtC30-C3PE	WEIGHT	1.1 Kg	
					DWG NO.	LO1710097	SHEET NO.	5	

NO	CONTENT	DATE	REVISER	APPROVAL
△				
△				
△				



TITLE: LECO115NFL-C3PE		SCALE	N / S	UNIT	MM	NO.	REVISED
ON - OFF CONNECTION DIAGRAM		PROJECT METHOD	⊕	WEIGHT	KG	△	
						△	
						△	
		APPROVED	J. KIM		MATERIAL	ASS'Y	
		CHECKED	-		DWG NO.		
		DRAWN	D. W. CHO		SHEET NO.		
		DATE	2019. 02. 15			5-A	